



**OAK &  
WALNUT  
TABLES**



 **FLORIAN**

# TABLES

The Florian table collection combines natural solid wood with linear metal elements which enhance the raw material.

The oak and walnut boards are turned into objects with an unmistakable design, unique like the tree logs they originate from, contrasting with the metal and steel fashioned into clean-cut shapes.

The Florian tables, produced in different sizes, enrich both domestic and office environments.



## TECHNICAL INFORMATION

### DIMENSIONS

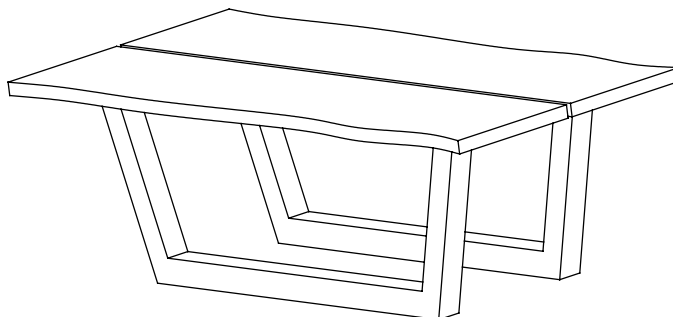
1800x1100x750 mm - 2000x1100x750 mm - 2200x1100x750 mm - 2400x1100x750 mm  
 2600x1100x750 mm - 2800x1100x750 mm - 3000x1100x750 mm - 3200x1100x750 mm  
 3400x1100x750 mm - 3600x1100x750 mm - 3800x1100x750 mm  
 4000x1100x750 mm - 4200x1100x750 mm

## TABLE TYPE 1

**Essences:** oak or walnut

**Finishes:** filled, oiled, brushed

**Base colours:** black or stainless steel

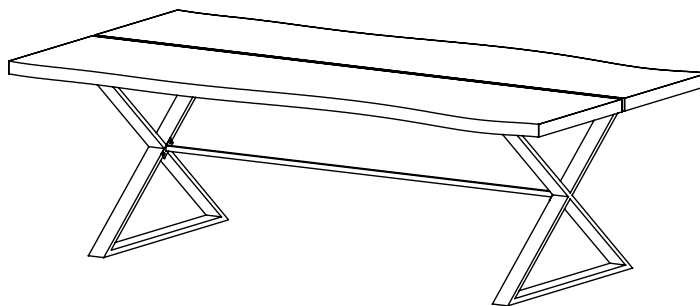


## TABLE TYPE 2

**Essences:** oak or walnut

**Finishes:** filled, oiled, brushed

**Base colours:** black or stainless steel

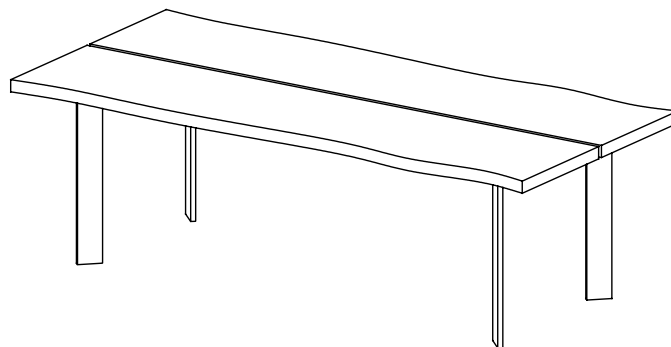


## TABLE TYPE 3

**Essences:** oak or walnut

**Finishes:** filled, oiled, brushed

**Base colours:** black or stainless steel



## TABLE TYPE 4

**Essences:** oak or walnut

**Finishes:** filled, oiled, brushed

**Base colours:** black or stainless steel

